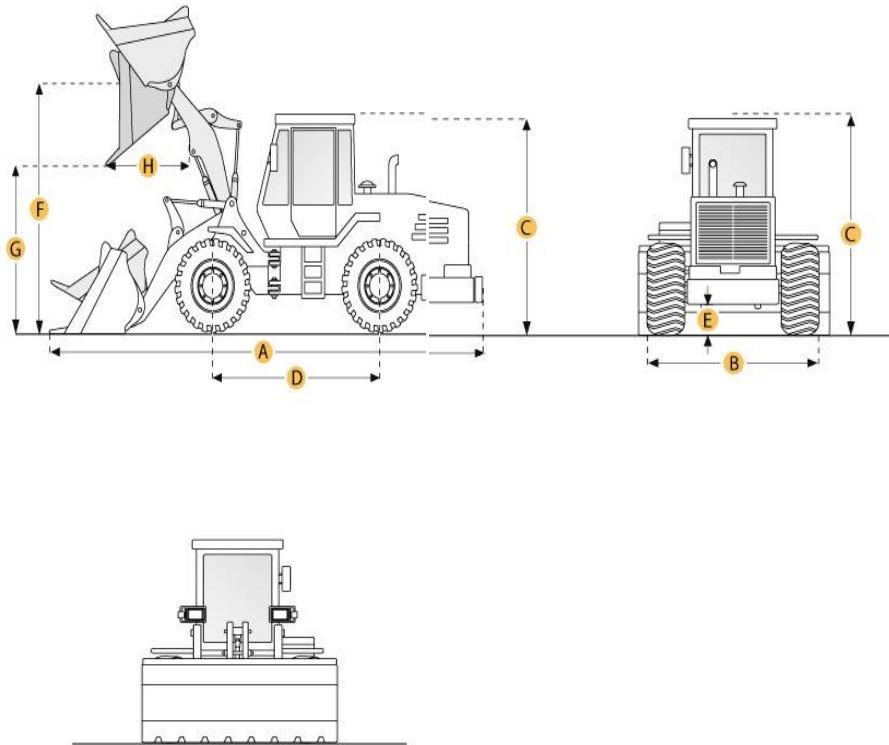


Komatsu WA180-1 Wheel Loader



Selected Dimensions

Bucket

G. Dump Clearance at Max Raise

8.5 ft in

2580 mm

Dimensions

A. Length with Bucket on Ground

21.6 ft in

6590 mm

B. Width Over Tires

7.6 ft in

2310 mm

C. Height to Top of Cab

10.2 ft in

3095 mm

D. Wheelbase

8.9 ft in

2700 mm

E. Ground Clearance

1.4 ft in

425 mm

F. Hinge Pin - Max Height

11.6 ft in

3540 mm

H. Reach at Max Lift and Dump

3.6 ft in

1090 mm

Specification

Engine

Make	Komatsu	
Model	S6D102 E1	
Gross Power	110 hp	82 kw
Power Measured @	2400 rpm	
Displacement	360 cu in	5.9 L
Number of Cylinders	6	
Max Torque	307.6 lb ft	417 Nm
Aspiration	Turbocharged	

Operational

Operating Weight	20569.1 lb	9330 kg
Fuel Capacity	44.9 gal	170 L
Static Tipping Weight	17482.7 lb	7930 kg
Turning Radius	17.8 ft in	5430 mm
Operating Voltage	24 V	
Alternator Supplied Amperage	35 amps	
Rear Axle Oscillation	24 degrees	
Tire Size	17.5 R25	

Transmission

Type	Fully automatic, full powershift with 'kick-down' system	
Number of Forward Gears	4	
Number of Reverse Gears	4	
Max Speed - Forward	21.4 mph	34.5 km/h
Max Speed - Reverse	21.7 mph	35 km/h

Hydraulic System

Relief Valve Pressure	3045.8 psi	21000 kPa
Pump Flow Capacity	38 gal/min	144 L/min
Raise Time	5 sec	
Dump Time	1.1 sec	
Lower Time	2.5 sec	

Bucket

Breakout Force	20952.2 lb	93.2 kN
Dump Clearance at Max Raise	8.5 ft in	2580 mm
Bucket Width	8.2 ft in	2500 mm
Bucket Capacity - heaped	2.1 yd ³	1.6 m ³

Dimensions

Length with Bucket on Ground	21.6 ft in	6590 mm
Width Over Tires	7.6 ft in	2310 mm
Height to Top of Cab	10.2 ft in	3095 mm
Ground Clearance	1.4 ft in	425 mm
Wheelbase	8.9 ft in	2700 mm
Hinge Pin - Max Height	11.6 ft in	3540 mm
Reach at Max Lift and Dump	3.6 ft in	1090 mm

New & Used Heavy Equipment