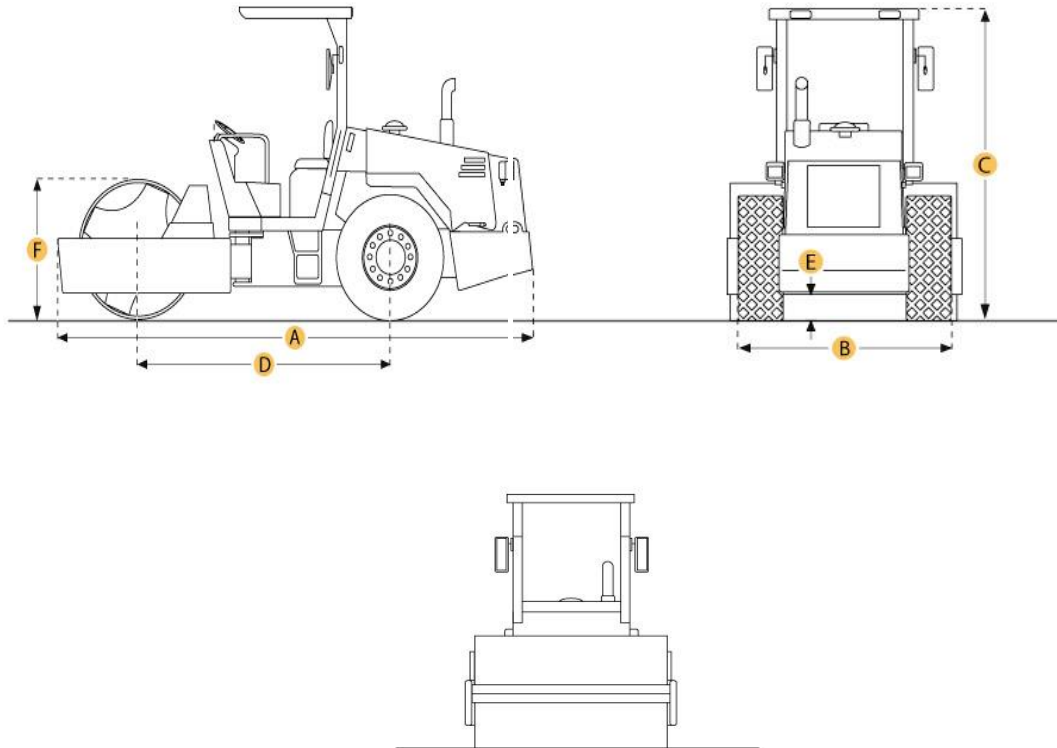


Sakai SW500 Vibratory Smooth Drum Roller



Selected Dimensions

Dimensions

A. Overall Length	10.2 ft in	3100 mm
C. Height to Top of Cab	5.6 ft in	1700 mm
D. Wheelbase	7.5 ft in	2300 mm
E. Ground Clearance	11 in	280 mm

Specification

Engine

Make	Isuzu	
Model	4LE1	
Gross Power	38.9 hp	29 kw
Power Measured @	2300 rpm	

Operational

Operating Weight	8818.5 lb	4000 kg
Fuel Capacity	13.7 gal	52 L

Hydraulic System Fluid Capacity	15.9 gal	60 L
Max Speed	7 mph	11.2 km/h

Drum

Drum Width	51.2 in	1300 mm
Drum Diameter	31.5 in	800 mm
Vibration Frequency 1	52 Hz	
Centrifugal Force - Med	6519.5 lb	29 kN

Dimensions

Overall Length	10.2 ft in	3100 mm
Height to Top of Cab	5.6 ft in	1700 mm
Wheelbase	7.5 ft in	2300 mm
Ground Clearance	11 in	280 mm

New & Used Heavy Equipment