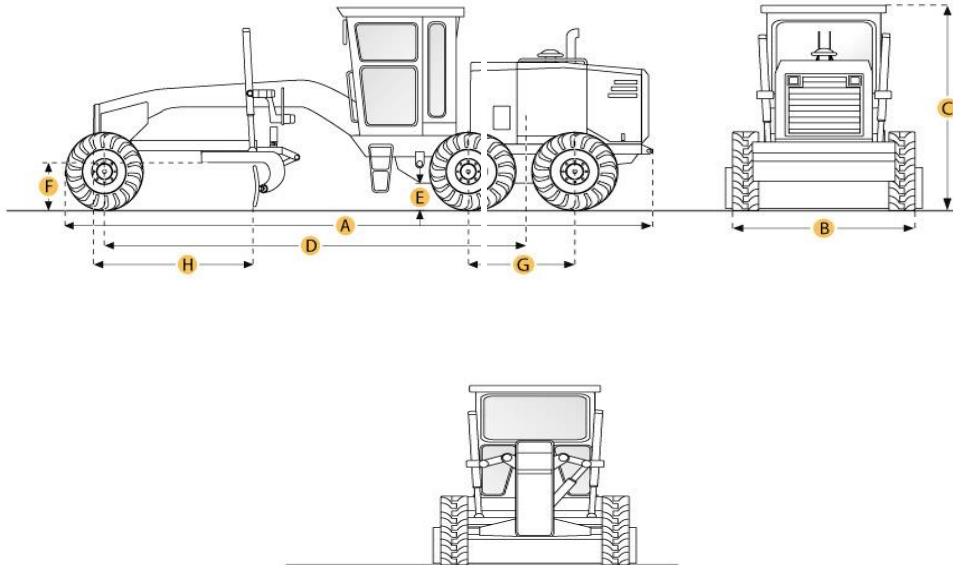


# Mitsubishi MG330 Motor Grader



## Selected Dimensions

### Dimensions

A. Overall Length	25.7 ft in	7820 mm
B. Width Over Tires	7.8 ft in	2380 mm
C. Height to Top of Cab	9.2 ft in	2800 mm
D. Wheelbase	17.4 ft in	5300 mm

## Specification

### Engine

Make	Mitsubishi	
Model	C 6D16-TE1	
Power Measured @	2200 rpm	
Net Power Gear 5-6	135 hp	100.7 kw
Max Power	135 hp	100.7 kw
Displacement	460.4 cu in	7.5 L

### Operational

Std Operation Weight - Total	24151.6 lb	10955 kg
------------------------------	------------	----------

Tire Size	13.00-24-8PR
Operating Voltage	24 V

**Transmission**

Type	power shift, planetary gear, hydraulically actuated	
Number of Gears - Forward	6	
Number of Gears - Reverse	6	
Max Speed - Forward	26.5 mph	42.6 km/h
Max Speed - Reverse	26.9 mph	43.3 km/h

**Steering**

Turning Radius	21.7 ft in	6.6 m
----------------	------------	-------

**Moldboard**

Moldboard Width	12.2 ft in	3710 mm
Moldboard Height	24 in	610 mm
Moldboard Thickness	0.75 in	19 mm

**Dimensions**

Height to Top of Cab	9.2 ft in	2800 mm
Overall Length	25.7 ft in	7820 mm
Width Over Tires	7.8 ft in	2380 mm
Wheelbase	17.4 ft in	5300 mm

**New & Used Heavy Equipment**