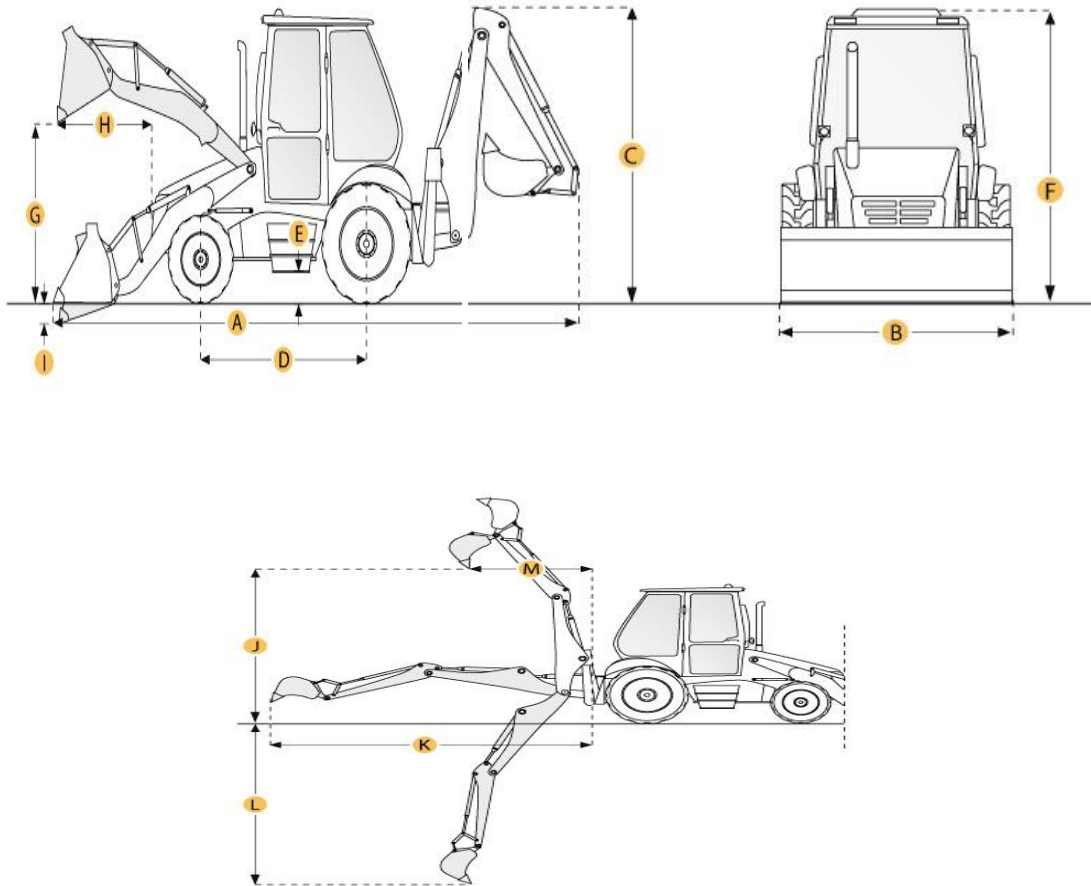


JCB 3CX Loader Backhoe :



Selected Dimensions

Backhoe

| | | |
|-------------------------------|------------|---------|
| J. Load Height - Std | 13 ft in | 3960 mm |
| K. Reach From Swivel - Std | 20.9 ft in | 6380 mm |
| L. Dig Depth - Std | 17.6 ft in | 5360 mm |
| M. Reach at Load Height - Std | 7.2 ft in | 2180 mm |

Dimensions

| | | |
|---------------------|------------|---------|
| A. Transport Length | 24.6 ft in | 7490 mm |
| B. Transport Width | 8 ft in | 2440 mm |
| C. Transport Height | 13.6 ft in | 4140 mm |
| D. Wheelbase | 7.4 ft in | 2260 mm |
| E. Ground Clearance | 1.1 ft in | 330 mm |

| | | |
|-------------------------|-----------|---------|
| F. Height to Top of Cab | 9.4 ft in | 2870 mm |
|-------------------------|-----------|---------|

Loader

| | | |
|---------------------------------|-----------|---------|
| G. Clearance at Max Dump Height | 8.8 ft in | 2690 mm |
| H. Reach at Max Dump Height | 2.7 ft in | 810 mm |
| I. Dig Depth | 2 in | 50 mm |

Specification

Engine

| | | |
|---------------------|-------------|---------|
| Make | JCB | |
| Model | 444 | |
| Gross Power | 100 hp | 74.6 kw |
| Net Power | 97.6 hp | 72.8 kw |
| Displacement | 268.5 cu in | 4.4 L |
| Power Measured @ | 2200 rpm | |
| Torque Measured @ | 1300 rpm | |
| Number of Cylinders | 4 | |
| Aspiration | Turbo | |

Operational

| | | |
|---------------------------------|--------------------|-----------|
| Operating Weight 4wd | 17515 lb | 7944.7 kg |
| Max Weight | 18701 lb | 8482.6 kg |
| Fuel Capacity | 42.3 gal | 160 L |
| Hydraulic System Fluid Capacity | 33.5 gal | 127 L |
| Oil System Fluid Capacity | 4 gal | 15 L |
| Cooling System Fluid Capacity | 6.1 gal | 23 L |
| Transmission Fluid Capacity | 4.2 gal | 16 L |
| Front Axle Fluid Capacity | 4.2 gal | 16 L |
| Rear Axle Fluid Capacity | 4.2 gal | 16 L |
| Turning Radius | 13.8 ft in | 4200 mm |
| Tire Size Front - 2wd / 4wd | 14-17.5 FWD 10 ply | |
| Rear Tires Size 2wd/4wd | 19.5L-24 R4 10 ply | |
| Operating Voltage | 12 V | |
| Alternator Supplied Amperage | 95 amps | |

Transmission :

| | |
|-------------------------|---------------|
| Type | JCB Autoshift |
| Number of Forward Gears | 4 |
| Number of Reverse Gears | 4 |

| | | |
|---------------------|----------|-----------|
| Max Speed - Forward | 22.5 mph | 36.2 km/h |
| Max Speed Reverse | 22.5 mph | 36.2 km/h |

Backhoe :

| | | |
|----------------------------|------------|---------|
| Dig Depth - Std | 17.6 ft in | 5360 mm |
| Dig Depth - Ext | 21.5 ft in | 6550 mm |
| Reach From Swivel - Std | 20.9 ft in | 6380 mm |
| Reach From Swivel - Ext | 24.7 ft in | 7520 mm |
| Bucket Dig Force - Std | 12202.6 lb | 5535 kg |
| Bucket Dig Force - Ext | 12202.6 lb | 5535 kg |
| Load at Max Lift - Std | 5121.3 lb | 2323 kg |
| Load at Max Lift - Ext | 3240.8 lb | 1470 kg |
| Load Height - Std | 13 ft in | 3960 mm |
| Load Height - Ext | 14.7 ft in | 4470 mm |
| Reach at Load Height - Std | 7.2 ft in | 2180 mm |
| Reach at Load Height - Ext | 10.8 ft in | 3300 mm |

Loader :

| | | |
|------------------------------|---------------------|--------------------|
| Bucket Capacity | 1.6 yd ³ | 1.2 m ³ |
| Bucket Width | 96 in | 2438.4 mm |
| Bucket Breakout Force | 14560 lb | 64.8 kN |
| Lift Capacity at Full Height | 9046 lb | 4103.2 kg |
| Clearance at Max Dump Height | 8.8 ft in | 2690 mm |
| Reach at Max Dump Height | 2.7 ft in | 810 mm |
| Dig Depth | 2 in | 50 mm |

Hydraulic :

| | | |
|-----------------------|-----------------|-------------|
| Pump Type | dual gear pumps | |
| Pump Flow Capacity | 40.9 gal/min | 155 L/min |
| Relief Valve Pressure | 3300 psi | 22752.7 kPa |

Dimensions :

| | | |
|----------------------|------------|---------|
| Transport Length | 24.6 ft in | 7490 mm |
| Transport Width | 8 ft in | 2440 mm |
| Transport Height | 13.6 ft in | 4140 mm |
| Height to Top of Cab | 9.4 ft in | 2870 mm |
| Wheelbase | 7.4 ft in | 2260 mm |
| Ground Clearance | 1.1 ft in | 330 mm |

New & Used Heavy Equipment

All About Heavy Equipment & Truck