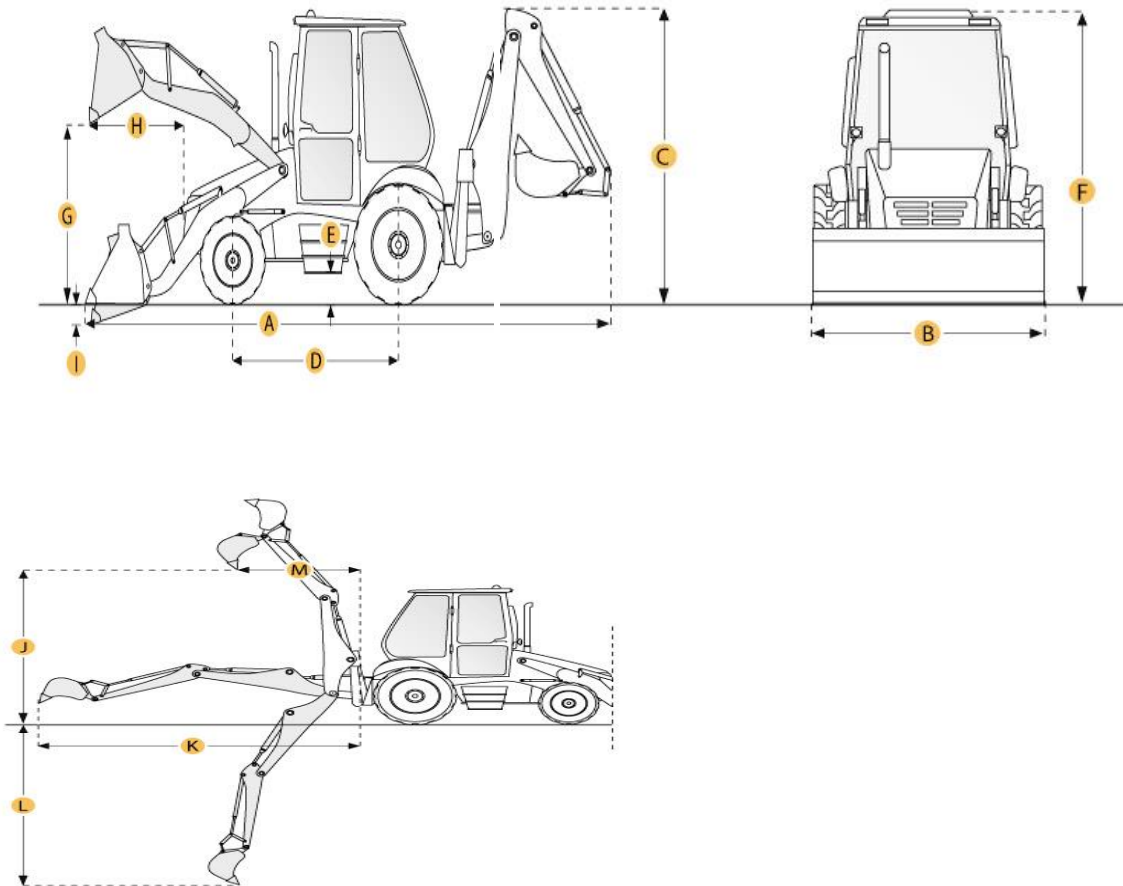


JCB 3CX Loader Backhoe :



Selected Dimensions

Backhoe

J. Load Height - Std	13 ft in	3960 mm
K. Reach From Swivel - Std	20.9 ft in	6380 mm
L. Dig Depth - Std	17.6 ft in	5360 mm
M. Reach at Load Height - Std	7.2 ft in	2180 mm

Dimensions

A. Transport Length	24.6 ft in	7490 mm
B. Transport Width	8 ft in	2440 mm
C. Transport Height	13.6 ft in	4140 mm
D. Wheelbase	7.4 ft in	2260 mm
E. Ground Clearance	1.1 ft in	330 mm
F. Height to Top of Cab	9.4 ft in	2870 mm

Loader

G. Clearance at Max Dump Height	8.8 ft in	2690 mm
H. Reach at Max Dump Height	2.7 ft in	810 mm
I. Dig Depth	2 in	50 mm

Specification

Engine

Make	JCB	
Model	444	
Gross Power	100 hp	74.6 kw
Net Power	97.6 hp	72.8 kw
Displacement	268.5 cu in	4.4 L
Power Measured @	2200 rpm	
Torque Measured @	1300 rpm	
Number of Cylinders	4	
Aspiration	Turbo	
Operational		
Operating Weight 4wd	17515 lb	7944.7 kg
Max Weight	18701 lb	8482.6 kg
Fuel Capacity	42.3 gal	160 L
Hydraulic System Fluid Capacity	33.5 gal	127 L
Oil System Fluid Capacity	4 gal	15 L
Cooling System Fluid Capacity	6.1 gal	23 L
Transmission Fluid Capacity	4.2 gal	16 L
Front Axle Fluid Capacity	4.2 gal	16 L
Rear Axle Fluid Capacity	4.2 gal	16 L
Turning Radius	13.8 ft in	4200 mm
Tire Size Front - 2wd / 4wd	14-17.5 FWD 10 ply	
Rear Tires Size 2wd/4wd	19.5L-24 R4 10 ply	
Operating Voltage	12 V	
Alternator Supplied Amperage	95 amps	

Transmission :

Type	JCB Autoshift	
Number of Forward Gears	4	
Number of Reverse Gears	4	
Max Speed - Forward	22.5 mph	36.2 km/h
Max Speed Reverse	22.5 mph	36.2 km/h

Backhoe :

Dig Depth - Std	17.6 ft in	5360 mm
Dig Depth - Ext	21.5 ft in	6550 mm
Reach From Swivel - Std	20.9 ft in	6380 mm
Reach From Swivel - Ext	24.7 ft in	7520 mm
Bucket Dig Force - Std	12202.6 lb	5535 kg
Bucket Dig Force - Ext	12202.6 lb	5535 kg
Load at Max Lift - Std	5121.3 lb	2323 kg
Load at Max Lift - Ext	3240.8 lb	1470 kg
Load Height - Std	13 ft in	3960 mm
Load Height - Ext	14.7 ft in	4470 mm
Reach at Load Height - Std	7.2 ft in	2180 mm
Reach at Load Height - Ext	10.8 ft in	3300 mm

Loader :

Bucket Capacity	1.6 yd ³	1.2 m ³
Bucket Width	96 in	2438.4 mm
Bucket Breakout Force	14560 lb	64.8 kN
Lift Capacity at Full Height	9046 lb	4103.2 kg
Clearance at Max Dump Height	8.8 ft in	2690 mm
Reach at Max Dump Height	2.7 ft in	810 mm
Dig Depth	2 in	50 mm

Hydraulic :

Pump Type	dual gear pumps	
Pump Flow Capacity	40.9 gal/min	155 L/min
Relief Valve Pressure	3300 psi	22752.7 kPa

Dimensions :

Transport Length	24.6 ft in	7490 mm
Transport Width	8 ft in	2440 mm
Transport Height	13.6 ft in	4140 mm
Height to Top of Cab	9.4 ft in	2870 mm
Wheelbase	7.4 ft in	2260 mm
Ground Clearance	1.1 ft in	330 mm